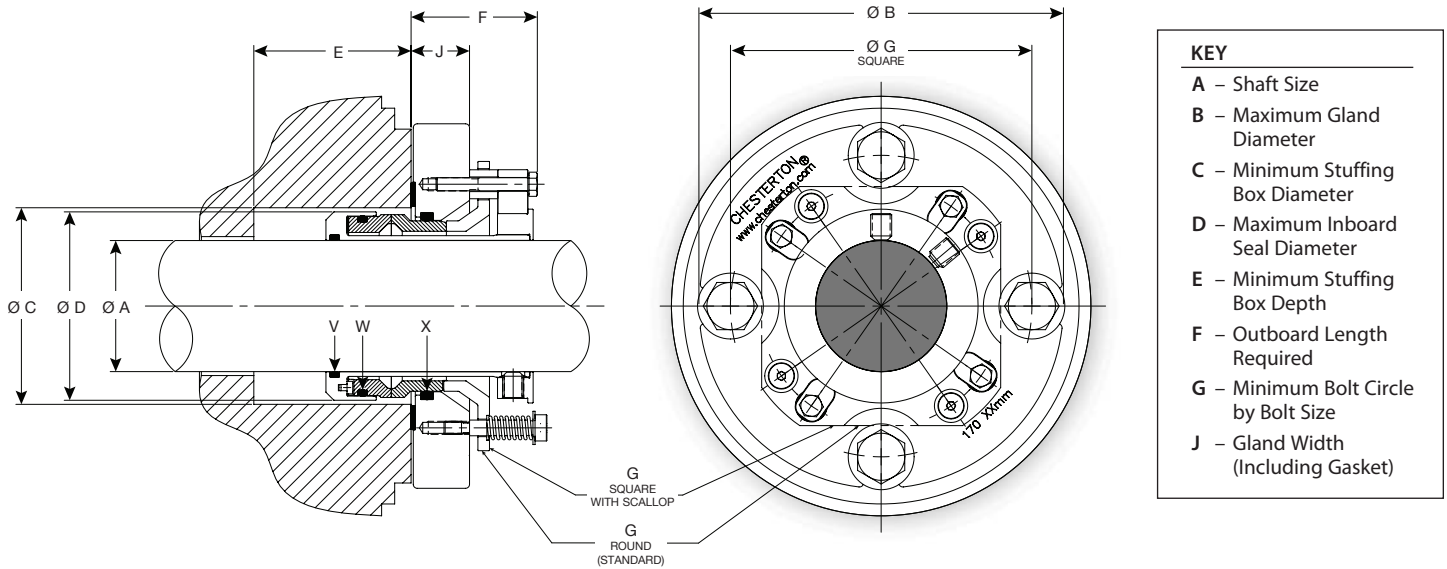


170 ISO Slurry Cartridge Single Seal



DIMENSIONAL DATA FOR SEALS TO FIT ISO-3069-C SEAL CHAMBERS*

SHAFT SIZE A	GLAND OD B	STUFFING BOX BORE C	STUFFING BOX BORE C	IB SEAL DIA D	SB DEPTH E	OB LENGTH F	GLAND WIDTH J	BOLT CIRCLE BY BOLT SIZE			O-RINGS			
								SQUARE PUSHER BC	SQUARE PUSHER BC	SQUARE PUSHER BC	SHAFT V	ROTARY W	STATIONARY X	
								G MIN						
	MAX	MIN	MAX	MAX	MIN	MAX	MAX	10 mm	12 mm	16 mm				
40mm	139	65	72	62	35	47	22		110			129	138	228
45mm	139	70	77	67	35	47	22		115			133	141	229
50mm**	139	75	82	72	35	47	22		115			136	144	231
53mm	152	80	100	77	35	47	22		125			137	147	232
55mm	152	85	100	77	35	47	22		125			139	147	232
60mm	177	90	100	82	35	47	22			145		142	150	234
65mm**	177	95	113	94	45	61	29			145		231	236	237
75mm**	190	109	129	104	45	61	29			155		234	239	240
85mm**	203	119	135	113	45	61	29			165		237	242	243

* Seals only available for shaft sizes listed

** Uses scallop pusher plate

DIMENSIONAL DATA FOR SEALS TO FIT ISO-3069-H SEAL CHAMBERS*

SHAFT SIZE A	GLAND OD B	STUFFING BOX BORE C	STUFFING BOX BORE C	IB SEAL DIA D	SB DEPTH E	OB LENGTH F	GLAND WIDTH J	BOLT CIRCLE BY BOLT SIZE			O-RINGS			
								SQUARE PUSHER BC	SQUARE PUSHER BC	SQUARE PUSHER BC	SHAFT V	ROTARY W	STATIONARY X	
								G MIN						
	MAX	MIN	MAX	MAX	MIN	MAX	MAX	12 mm	16 mm	20 mm				
40mm	152	90	100	62	35	47	22	125			129	138	228	
50mm	177	100	114	72	35	47	22		140		136	144	231	
60mm	190	120	133	83	35	47	22		160		142	150	234	
70mm	203	130	142	97	45	61	29		170		232	237	238	
80mm	215	140	152	107	45	61	29		180		235	240	241	
90mm	241	160	176	117	45	61	29			205		239	243	245
100mm	253	170	186	142	61	76	36			215		345	351	353
110mm	266	180	194	152	61	76	36			225		345	354	356

* Seals only available for shaft sizes listed

Technical data reflects results of laboratory tests and is intended to indicate general characteristics only. A.W. Chesterton Company disclaims all warranties expressed, or implied, including warranties of merchantability and fitness for a particular purpose or use. Liability, if any is limited to product replacement only.



DISTRIBUTED BY:

860 Salem Street
Groveland, Massachusetts 01834 USA
Telephone: 781-438-7000 • Fax: 978-469-6528
www.chesterton.com

© A.W. Chesterton Company, 2014. All rights reserved.
® Registered trademark owned and licensed by
A.W. Chesterton Company in USA and other countries.

FORM NO. EN23478

PRINTED IN USA 6/14